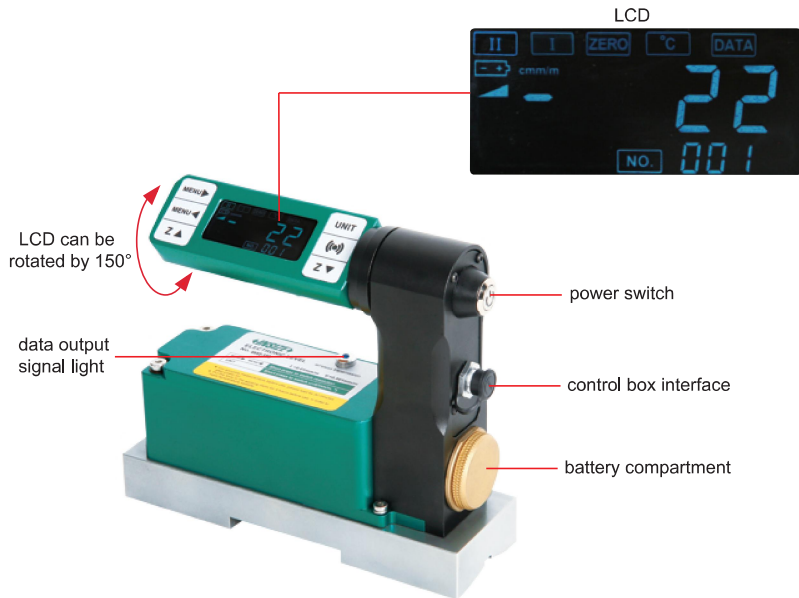
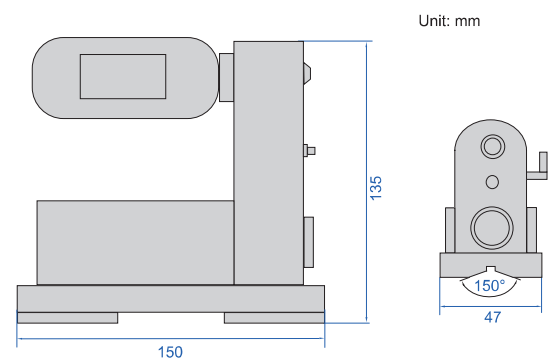


# ELECTRONIC LEVELS (BUILT-IN BLUETOOTH)

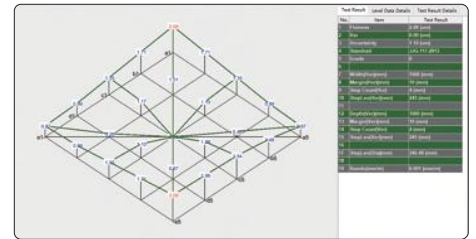


4952-150

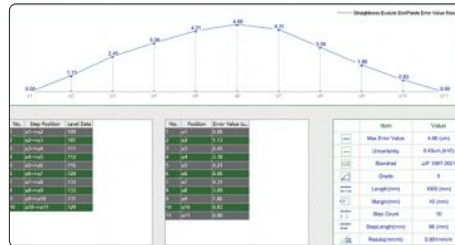
- Measures flatness, parallelism and straightness
- Built-in bluetooth, can be connected to computers, transmission distance is 50m
- The LCD can be rotated for easy observation in different directions
- Designed with handle for easy access
- V-groove on bottom for shafts
- Supplied with measuring software
- Optional accessory: bridge plate (code 4952-01)



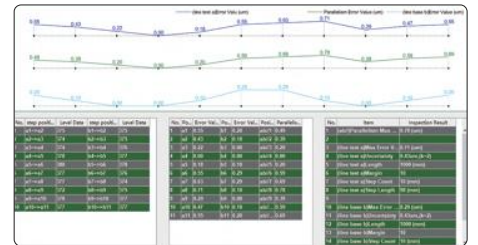
flatness measuring software (included)



straightness measuring software (included)



parallelism measuring software (included)



## SPECIFICATION

Code	4952-150		4952-150L	
Resolution (adjustable)	0.01mm/m (2")	0.001mm/m (0.2")	0.01mm/m (2")	0.005mm/m (1")
Range	±5mm/m	±0.5mm/m	±5mm/m	±2.5mm/m
Accuracy	±(1+Ax2%) Δ*			
Repeatability	0.01mm/m	0.001mm/m	0.01mm/m	0.005mm/m
Response time	< 3s	< 10s	< 3s	< 5s
Power supply	1 x 21700 Li-ion battery, for 50h continuous working			
Weight	1.8kg			

\*A is the measured value, Δ is the resolution

## STANDARD DELIVERY

Main unit	1 pc
Wireless receiver	1 pc
Control box	1 pc
Measuring software	1 set
Charger	1 pc

wireless receiver (included)



control box (included)



300mm bridge plate (optional)

